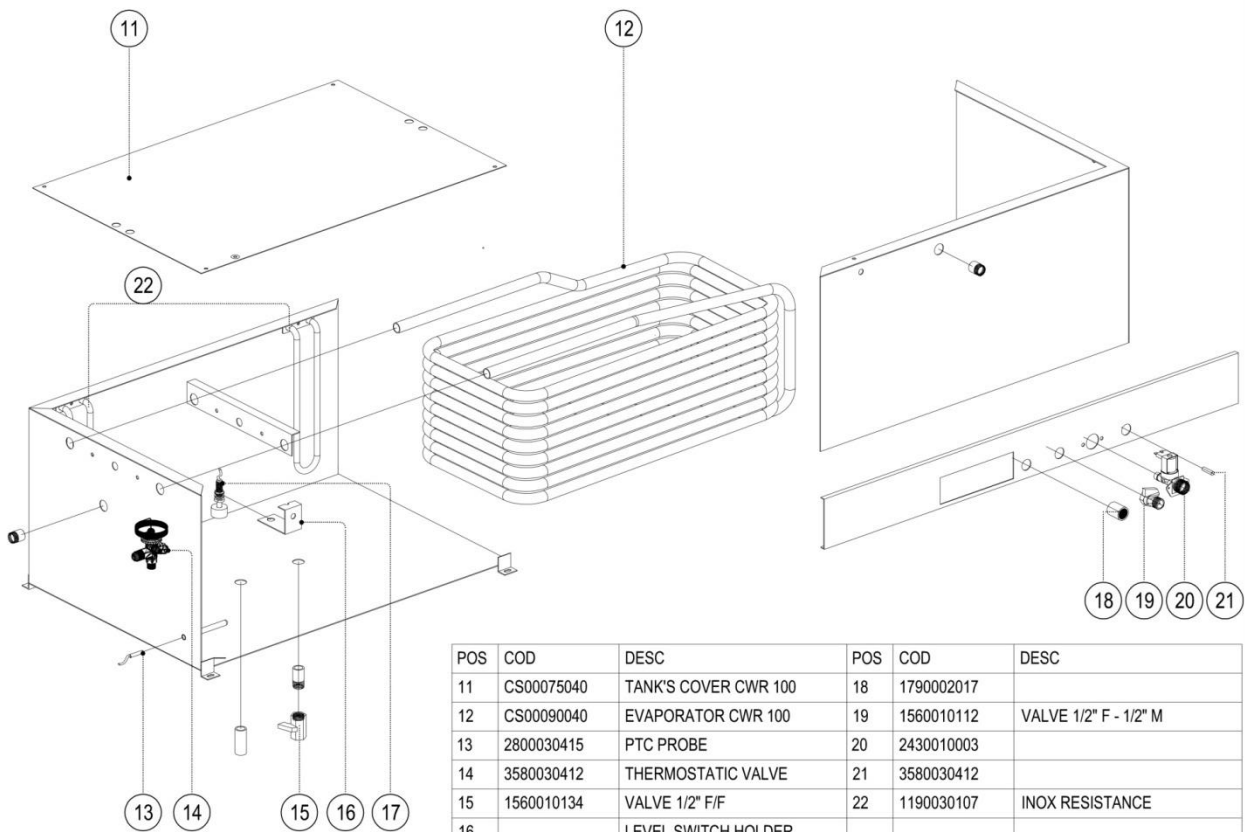


POS	COD	DESC	POS	COD	DESC	POS	COD	DESC
51		CONDENSER	55	6700030023	SOLENOID VALVE	59		PRESSURESTAT
52		FAN	56	1810030430	WATER METER	60		LIQUID RECEIVER
53		FILTER	57	2414000039	PUMP			
54	2430010005	RECIRCULATION PUMP	58		COMPRESSOR			



POS	COD	DESC	POS	COD	DESC
11	CS00075040	TANK'S COVER CWR 100	18	1790002017	
12	CS00090040	EVAPORATOR CWR 100	19	1560010112	VALVE 1/2" F - 1/2" M
13	2800030415	PTC PROBE	20	2430010003	
14	3580030412	THERMOSTATIC VALVE	21	3580030412	
15	1560010134	VALVE 1/2" F/F	22	1190030107	INOX RESISTANCE
16		LEVEL SWITCH HOLDER			
17	1140010002	LEVEL SWITCH			

SPARE PARTS

POS	DESCRIZIONE	CODICE
1	Switch	3500030064
2	Box GW-44209	3600030120
3	Electronic Board	3400030499
4	Keyboard	3400030504
5	Termometer	3600030543
6	Manual probe	2800003047
6a	Clip for manual probe	3500030281
7	Cable clamp	3500030080
8	Fitting 90° 1/2" F	1560010109
9	Fitting 3/4" F x 1/2" M (with water counter)	
10	Water counter 30 lt	1810030425
11	Fitting 1/2" M x 1/2" M	1790002013
12	Fitting 1/2" F x 1/2" F	1790002017
13	Fitting for rubber pipe Ø 15	1790002018
14	Fitting O-Ring 16 x 1/2" M	1790002032
15	Pipe INOX 16 mm	
15a	Pipe 90° INOX 16 mm	
16	Fitting 90° 1/2" F x 1/2" M	1560010108
17	Fitting 90° 3/4" F x 1/2" F	1560010099
18	Water Mixer	1560010101
19	Fitting 3/4" F x 3/4" F	1790002023
20	Fitting 3/4" M x 1/2" M	1790002011
21	Cartridge mixer	1560010119
22	Filter Y	1790002010
23	Mini tap red	1560010133
24	Mini tap blu	1560010112
25	Fitting 1/2 M x 1/4 F	2800010038
26	Fitting probe	1000040469
27	Probe NTC	2800030442
28	Solenoid	6700030023
29	Mini brass shaft	1560010140
30	Mixer Knob	1560010137

